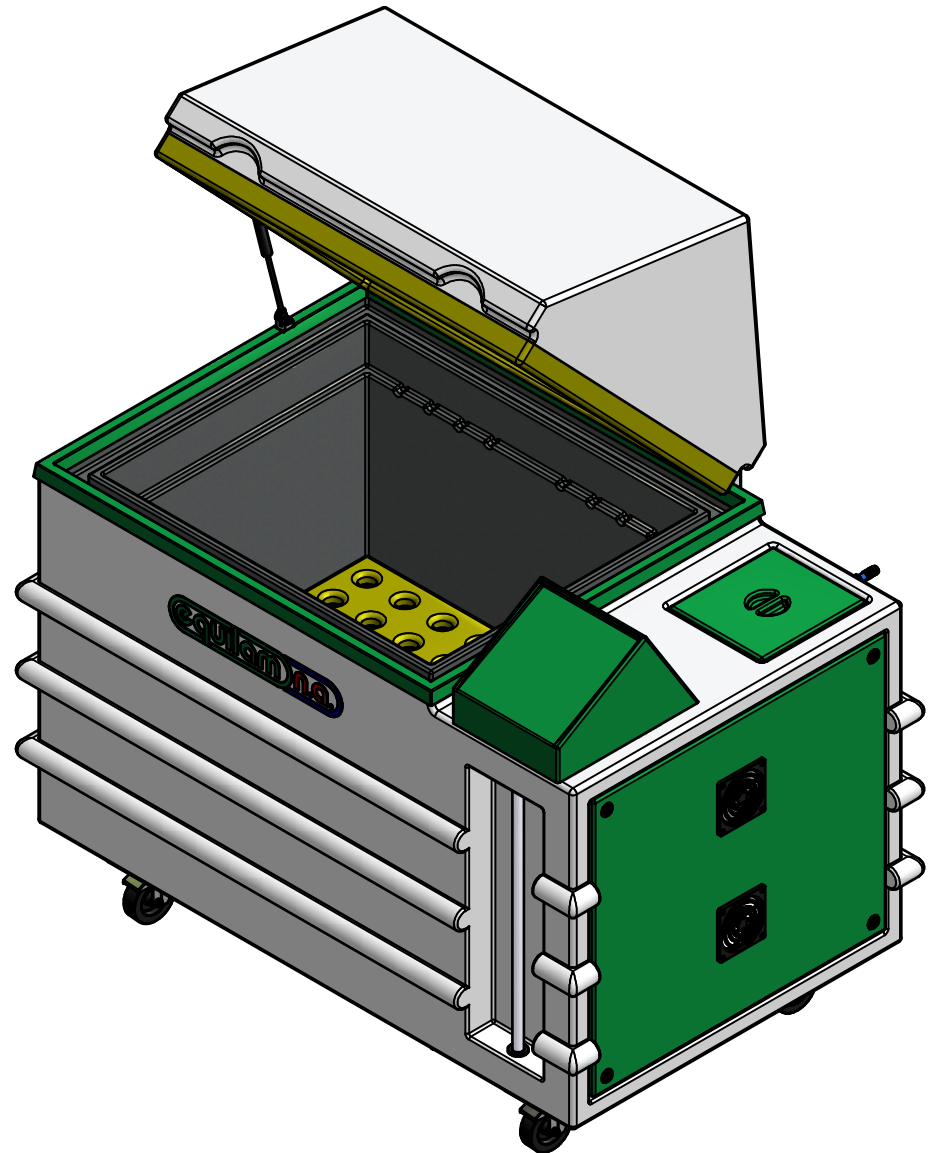
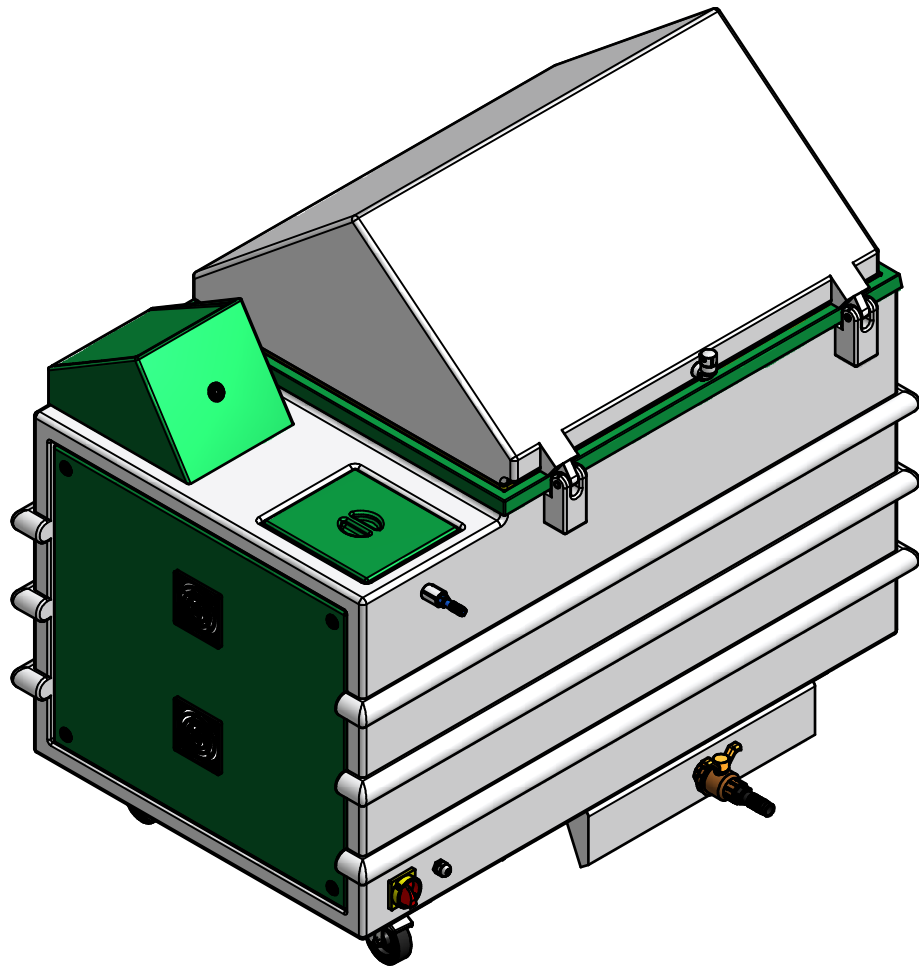




Immersion Tank		
	IT-600	IT-1000
Chamber Temperature Range	Ambient +9°F (5°C) to 140°F (60°C)	
Exterior Dimensions	61" x 41" x 57" 1555mm x 1050mm x 1450mm	74.4" x 61.8" x 46.5" 1890mm x 1570mm x 1180mm
Interior Dimensions	24" x 31" x 17" 630mm x 810mm x 430mm	47.2" x 31.9" x 18.9" 1200mm x 810mm x 480mm
Lid Open Dimensions	61" x 41" x 62.6" 1555mm x 1050mm x 1590mm	74.4" x 61.8" x 72.8" 1890mm x 1570mm x 1850mm
Shipping Dimensions	63" x 47.2" x 63" 1600mm x 1200mm x 1600mm	80.7" x 51.2" x 68.9" 2050mm x 1300mm x 1750mm
Move-in Dimensions	66.9" x 51.2" x 66.9" 1700mm x 1300mm x 1700mm	84.6" x 55.1" x 72.8" 2150mm x 1400mm x 1850mm
Net Weight (Empty)	286 lbs. (130 kg)	309 lbs. (140 kg)
Gross Weight (w/ shipping package)	397 lbs (180 kg)	463 lbs (210 kg)
Chamber Volume	58 gal (220 L)	121 gal (460 L)
Ambient Temperature Requirements	+75°F (+24°C) to +82°F (+28°C)	
Ambient Humidity Requirements	max. 85% without condensation	
Power	230V - 50-60Hz - 1 phase	
FLA (230V)	16A	25A
Water Quality	ASTM D1193 Type IV	
Water Supply	7 to 28 psi (0.5 to 2.0 kgf/cm ²)	
Water Connection	1/2" hose barb fitting	
Water Usage	1.32 gal per day (5 liters)	
Gravity Drains	1/2" hose barb fitting	



Date:
09/06/2015

Sheet:
A3

No.

www.equilamna.com

Description: Specification Sheet

Project: IT - SSe

Rev.00