

ACCELERATED CORROSION TEST CHAMBERS

Corrosion Tests Specialists



HUMIDITY



SO₂ POLLUTION



SALT



SUN



APPLICATIONS

equilam n.a.
www.equilamna.com

SALT SPRAY

SS600E - SS600 - SS1000E - SS1300 - SS3000



Industries served:

Automotive, Paint, Protective Coatings,
Aerospace, Research Centers, Laboratories,
Defense, Petrochemical, Electrical
Components, Aviation, Metallurgy, Furniture,
Cosmetics, and more.

The SS series chamber line simulates accelerated environmental weathering testing via a tightly controlled solution consisting of water/sodium chloride (NaCl) with humidity inside the testing chamber. This testing allows customers comparative results testing or commonly known as 'quality audit' comparison, between a number of samples.

The SS series is available in four (4) sizes, SS600, SS1000, SS1300 and SS3000 with economy models available in SS600e and SS1000e.

All equipment built to UL508a standards.

The SS series equipment is designed to meet all major international standards including ASTM B117 (SS), ISO 9227 (SS, CASS, AASS), ASTM B368 (CASS), ASTM G85-A1 (AASS), JIS Z2371, to meet customer requirements.

Equipment constructed with double wall fiberglass ensuring low maintenance.

Custom dimensions and capabilities available upon request.



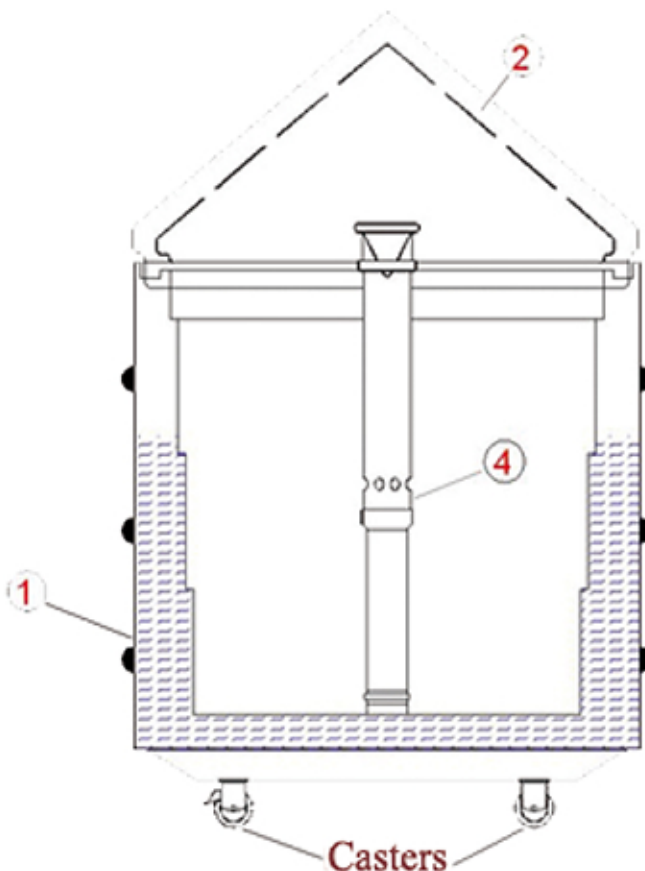
SSe Chamber Panel



SS Chamber Panel



CHAMBER DETAILS



1 - Water Jacket, as outlined in ASTM B117 to ensure temperature uniformity of testing chamber.

2 - Lid designed with smooth surface and without seams per ASTM B117, to prevent contamination of samples from water drips.

3 - Unibody construction incorporating solution tank, bubble tower in one cabinet.

4 - Central Atomization Tower built to ASTM B117 standards to ensure fog uniformity and homogenous test results.

CYCLIC CORROSION TEST



Built to meet international standards.
ASTM, ISO, JIS, BS, IEC, MIL, DIN, VDA,
SAE J2334, VW-PV1210, GMW 14872, VDA
621-415, FORD CETP: 00.00-L-467.
Custom requirements available.

CCT 600 AUTO - CCT 1300 AUTO
CCT 3000 AUTO - CCT 5000 AUTO

Allows operator to program corrosion cycles with respective timers in the following modes:

- ◆ Salt Spray mode;
- ◆ Prohesion mode;
- ◆ Saturated Humidity mode (condensation);
- ◆ Climatization mode (controlled relative humidity and temperature);
- ◆ Forced Air (Fan on);
- ◆ Soak mode;
- ◆ Saturated Humidity mode (atomization, water fog) - optional with Spray mode (Stress Test);

Custom dimensions and designs available.

Built to meet international standards.
ASTM B 117, ISO 9227, Volvo STD 423,0014,
Volvo STD 1027,14, Renault ECC1, CCT - Honda.
Custom design inquires are welcome.

CCT 600 CORR - CCT 1300 CORR
CCT 3000 CORR - CCT 5000 CORR

CCT (or cyclic) chambers provide the closest comparison to “real world” laboratory testing for naturally occurring corrosion. CCT exposes test specimens to a series of different environments such as: Salt Fog with humidity, saturated humidity, dwell, ambient drying and forced air drying. Test durations and atmospheric conditions programs are all controlled via the PLC/touch screen, which also serves as the diagnostics and alarms interface. All equipment is built to UL508a standards. Unlike salt spray testing, CCT testing correlates more closely to realistic, naturally occurring conditions. With a setup change, this equipment can also test under Prohesion type testing as described by ASTM G85 A5.

The CCT CORR series is designed to meet strict construction protocols cited by ASTM, DIN, ISO, JIS, MIL and other standards. Four (4) sizes to choose from, CCT 600, CCT 1300, CCT 3000 and CCT 5000, each include provided software for easy programming and periodic/preventative maintenance.



SATURATED HUMIDITY CHAMBER

KEQ300UM - SS600UME - SS1000UME - SS3000UME



KEQUM

Saturated humidity chambers create a saturated humidity/heated environment under DIN ISO 6270-2, DIN 50017, ASTM D2247.

This chamber series provides testing to Corrodekote standards for electrodeposition in steel, aluminum, zinc, plastics and other substrates per ASTM B380.



SSUM

KESTERNICH - SO₂

KEQ300

The KEQ series chamber utilizes a high humidity/slightly acidic atmosphere under strictly controlled conditions. Samples are exposed to environments simulating real life conditions of gases from combustion engines, heating systems or industrial type atmospheres including acid rain.

DIN EN ISO 6988,
ASTM G 87, DIN 50018



Chamber Interior

IMMERSION TANK

IT 600 - IT 900 - IT 1000 - IT 1300 - IT 3000



This series of chamber is designed for DI water or NaCl (optional) solution tank submersion tests. Complete fiberglass construction with digital microprocessor temperature, water flow control for constant levels inside the chamber. Low level, overheat and circulation alarms standard.

IMMERSION TANK

IT 120



As with the other models (IT 600, IT 900, IT 1000, IT 1300, IT 3000), this chamber is designed for DI water NaCl (optional) solution tank submersion tests.

UV CHAMBER

EQNA-UV SERIES

The EQNA-UV chamber is an accelerated weathering test chamber replicating the effects of irradiation, UVA or UVB, and condensation or rain spray. The chamber accelerates the degradation and aging process causing loss of gloss and color, mechanical resistance, blisters and oxidation.

This chamber comes with a Radiometer with NIST certificate, and a command panel interface for calibration of UV sensor which monitors the irradiation during test.

SAE; ASTM; ISO.

Or custom requirements.



GRAVELOMETER

EQNA GR DIN/VDA

"Mode 2" Gravelometer is built to meet the technical standards set forth by SAE, ASTM, VDA and DIN ISO.

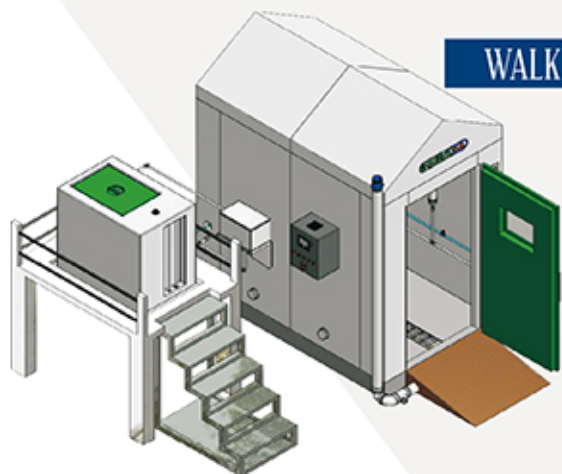
The Mode 2 gravelometer performs strength tests on paint/and or coatings simulating by road driving conditions using different types of metallic or steel type grit in different particles sizes as dictated by the corresponding standards.



EQNA GR ASTM/SAE

CUSTOM DESIGN CAPABILITIES

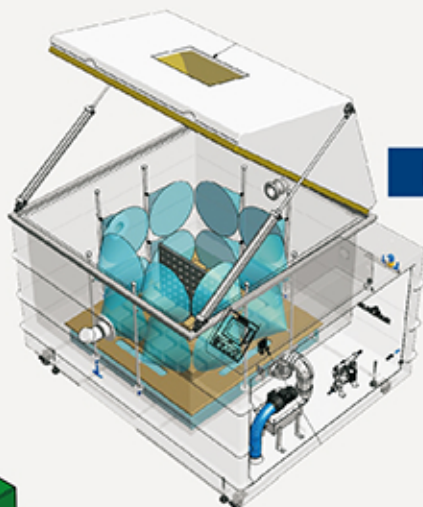
WALK IN / DRIVE IN



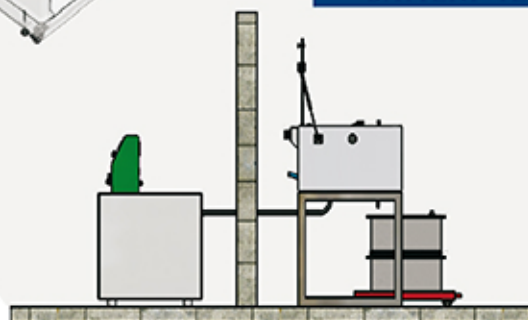
SPECIAL IMMERSION



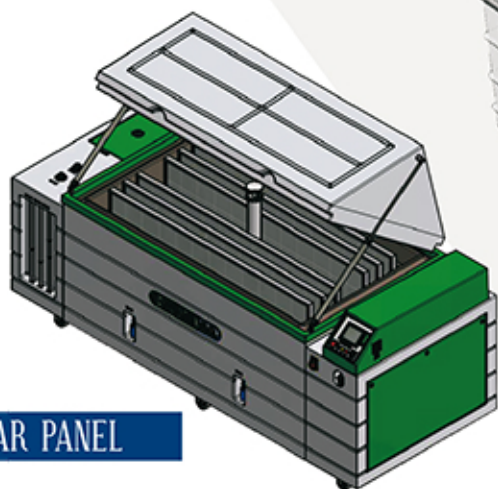
CUSTOM SPRAY/TEMPERATURE



BATTERY TEST



SOLAR PANEL



OUR COMPANY



Since 1987, Equilam has been a recognized leader in the worldwide corrosion testing industry supplying state of the art equipment to its vast number of customers in many different industries. With our expansion into the North America, we continue this path providing our customers dependable corrosion testing equipment and corrosion testing services with the highest craftsmanship available.

Agent: