

Salt Spray Test Chamber – ASTM B117

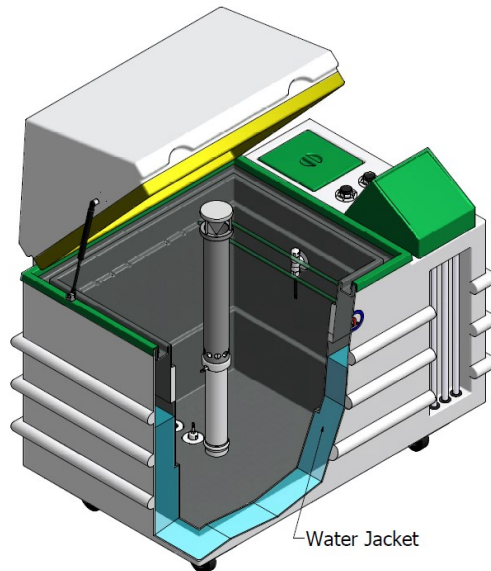



Illustrative photo SS600e



Indirect heating of the internal cabinet through the water jacket (ASTM B117), ensuring great homogeneity of the internal temperature of the test cabinet.

US PATENT # 10371623

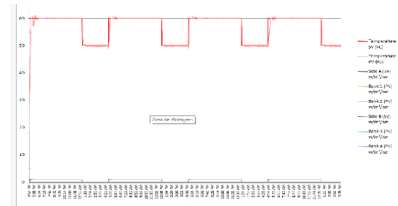


| Specification/Model | SS600e | SS1000e | SS1300e | SS3000e | SS5000e |
|---|---|--|---|---|---|
| Approximated internal cabinet volume: | 21.19 cu.ft (600 Liters) | 35.31 cu.ft (1,000 Liters) | 45.91 cu.ft (1,300 Liters) | 105.95 cu.ft (3,000 Liters) | 176.57 cu.ft (5,000 Liters) |
| Internal Dimensions: W x D x H (mm) | 32.3" x 25.6" x 30.7" (820 x 650 x 780) | 46.9" x 32.8" x 32.7" (1,190 x 820 x 830) | 55.1" x 33.5" x 33.5" (1,400 x 850 x 850) | 80.7" x 42.5" x 39.4" (2,050 x 1,080 x 1,000) | 78.7" x 59.1" x 39.4" (2,000 x 1,500 x 1,000) |
| External Dimensions: W x D x H (mm) | 57.5" x 43.3" x 56.7" (1,460 x 1,100 x 1,440) | 73.6" x 44.3" x 65.0" (1,870 x 1,125 x 1,650) | 95.3" x 45.3" x 66.9" (2,420 x 1,150 x 1,700) | 133.9" x 63.0" x 70.9" (3,400 x 1,600 x 1,800) | 149.6" x 70.9" x 82.3" (3,800 x 1,800 x 2,100) |
| Approximate net weight (kg) | 452 lbs (205 kg) | 463 lbs (210 kg) | 803 lbs (364 kg) | 110 lbs (550 kg) | 1,962 lbs (890 kg) |
| Approximate Shipping Weight – Crated (kg) | 569 lbs (258 kg) | 177 lbs (280 kg) | 919 lbs (417 kg) | 1,874 lbs (850 kg) | 2,205 lbs (1,000 Kg) |
| Approx. Crated: W x D x H (mm) | 63.0" x 45.3" x 66.9" (1,600 x 1,150 x 1,700) | 81.0" x 51.0" x 75.0" (2,050 x 1,300 x 1,900) | 102.3" x 51.0" x 72.9" (2,600 x 1,300 x 1,850) | 139.8" x 70.0" x 83.0" (3,550 x 1,700 x 2,110) | Pallets / Container |
| Cover with safety system | Included | | | | |
| Visual and audible safety system | Included | | | | |
| Electrical Supply | 208 - 230 V - Ø1 - 50/60Hz | | | | |
| FLA (Amp) | 25 | 35 | | | 45 |
| Recommended Lab conditions | Temperature: 63 °F (17°C) - 82°F (28°C), Relative humidity: Maximum 85% (without condensation) | | | | |
| Test water requirement | ASTM D1193 Type IV | | | | |
| DEI water pressure | 7 to 14 psi (0.5 to 1.0 kgf/cm ²) | | | | |
| DEI water input Ø | 1/2" (12 mm) | | | | |
| Constant Pressure | 56 psi +/- 0.7 psi (4 kgf/cm ²) | | | | |
| City Water Supply | Chamber cleaning | | | | |
| Corrosive Agent | Per Standard - NaCl | | | | |
| Lab exhaust | Fume Hood and motor – if necessary | | | | |
| Drain | ½" PVC tubing | | | | |
| Chamber exhaust (PVC pipe without siphon) | 2" | 4" | | 4" | |
| Measurement items: pH, Conductivity NaCl concentration | In accordance with ASTM B117, JIS Z2374, ISO 9227, DIN 50021 | | | | |
| Service Area | minimum of 19.6" (50 cm) for an easier cleaning, assembling and maintenance | | | | |
| Bubble Tower with constant level, no auxiliary tank necessary for long duration test |  | | | | |

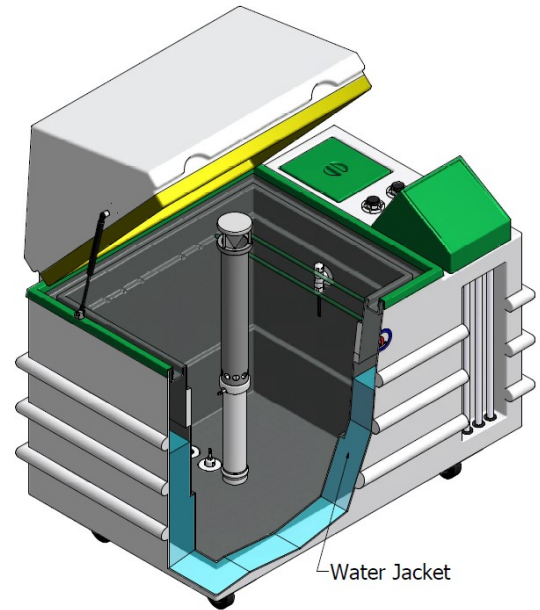
Centralized Atomization Nozzle with distribution tower and cone in accordance with: ASTM B117, pg. 4.



Supervisory Software: Data Acquisition Software - option: By PC (RS 232 / 485 / USB / Ethernet)



- Designed entirely in fiberglass (US patent 10371623) Indirect Heating through water jacket according to ASTM B117 to ensure that no metallic heating will affect corrosivity of testing results.
- Lid engineered with smooth surface, without seams, per ASTM B117, drops of solution which accumulate on the ceiling of the chamber shall not be permitted to fall on the specimens being exposed.
- Unibody construction incorporating solution tank, bubble tower in one cabinet.
- Central Atomization Tower engineered to ASTM B117 standards ensuring collect fog uniformity and homogenous results.



1 (One) Year Parts Warranty against manufacturing defects from date of delivery at customer's site. This assumes equipment is used under normal operating conditions in accordance to the instruction manual. This warranty does not apply to glassware (lamps). In case of non-warranty issues during warranty period, actual expenses shall apply.

Note 1: All our equipment is delivered with Installation, Maintenance and User Manual. We believe this material is enough for the correct use of the equipment. We are available for further questions and clarifications. Additionally, if desired, we can provide the technicians to assemble the equipment and conduct staff training at the client's site. (Cost available upon request).

Note 2: Appearance and specifications of equipment are subject to change without prior notice.

Note 3: We highly recommend that you don't use the same chamber for different solutions, e.g. don't use a Salt Spray chamber for CASS; Kesternich (SO₂) test or CASS chamber for humidity test due the chemical contamination that may distort the results. See item 4.6 of Standard ISO 9227.

Optional Accessories

CODE:

EQOP. 0001 – SS 600e

EQOP. 0002 –SS 1000e

EQOP. 0003 – SS 13000e

EQOP. 0004 – SS 3000e / SS 5000e

- (1) rack - 15° or 20° inclination in accordance with ASTM B117 and ISO 9227.



CODE: EQOP.0005

- Special rack for customer supplied test sample.

CODE: EQOP.0008

- (2) Fog collectors.



CODE: EQOP.0009

- Pressure regulator with water, oil filter and pressure gauge.



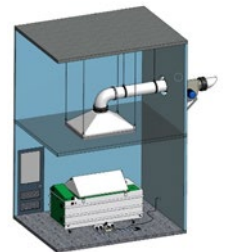
CODE:

EQOP.0011 - SS 600e / SS 1000e

EQOP. 0144 - SS 1300e / SS 3000e /

SS 5000e

- Fiberglass Fume Hood (hood only).



CODE: EQOP.0012

- Fiberglass axial fan assembly capacity: 1940 cfm. 220 ~ 208 V. Net weight: 88 lbs. (40 kg).



CODE: EQOP.0013

- DI Water assembly includes: activated carbon water filter, DI column, LED water quality indicator.



CODE: EQOP.0014

- Spare DI water column.



CODE: EQOP.0015

- Spare activated carbon water filter.



CODE: EQOP.0016

- pH meter – Digital with standard solution.



CODE: EQOP.0017

- Conductivity meter – Digital with standard solution.



CODE: EQOP.0018

- Densitymeter to measure concentration of saline solution in accordance to ASTM B117.



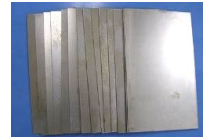
CODE: EQOP.0019

- Plastic bucket with 50lb Salt EQCORR with chemical analysis Certificate in accordance with ASTM B117, ISO 9227, JIS Z2371, MILS STD810G.



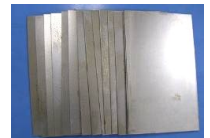
CODE: EQOP.0038

Test Panels – 2.9" x 5" (76mm x 127mm). In accordance with ASTM B117 (100 Pieces).



CODE: EQOP.0075

- Test Panels – 2.7" x 5.9" (70mm x 150mm). In accordance with ISO 9227 (100 pieces).



CODE: EQOP.0044

- Supervisory Software: Data Acquisition: By PC (RS 232/ 485 - USB)



CODE: EQOP.0047

- Digital relative humidity indication, software, wet bulb.



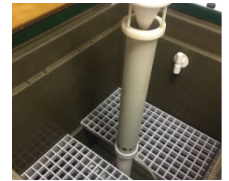
CODE:

EQOP.0118 – SS 600e

EQOP.0119 – SS 1000e

EQOP.0120 – SS 3000e / SS 5000e

- Grid type test brackets supports 265 lbs (120 kg) with distributed load.



CODE: EQOP.0035

- Cable port $\varnothing = 2''$
(Other diameter, consult us)



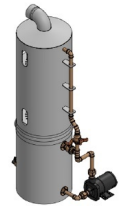
CODE: EQOP.0169

- Inclined specimen holder for 36 screws with Nylon threaded bushings to be defined by the customer (maximum $\varnothing 22\text{mm}$)



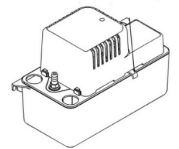
CODE: EQOP.0111

- Gas Scrubber – Exhaust system.



CODE: EQOP.0068

- Pump to drain precipitated solution - Salt Spray Chamber



CODE: EQOP.0034

- Solution tank for long term testing capacity 71.3 gal (270 Liters), with automatic solution mix and feed.



CODE: EQOP.0161

- Manual mix solution

CODE: EQOP.0162

- D.I water entrance to solution tank

CODE: EQOP.0056

- CSA Certificate (Canada)

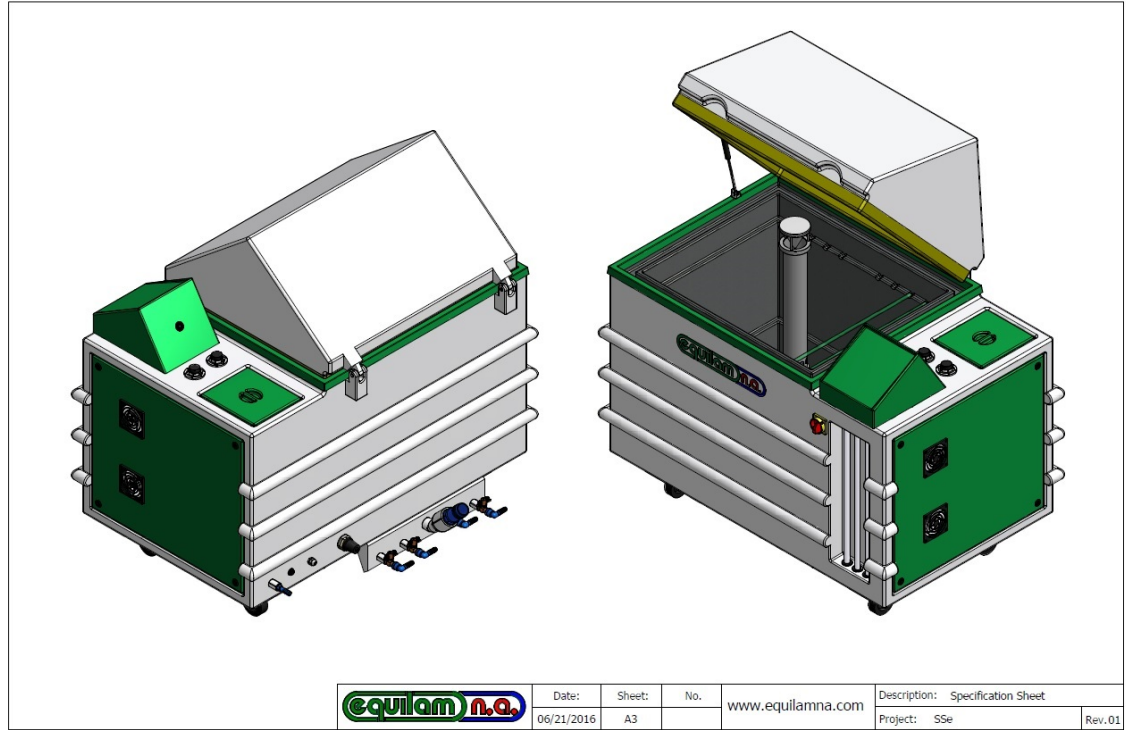
Consult us

CODE: EQOP.0007

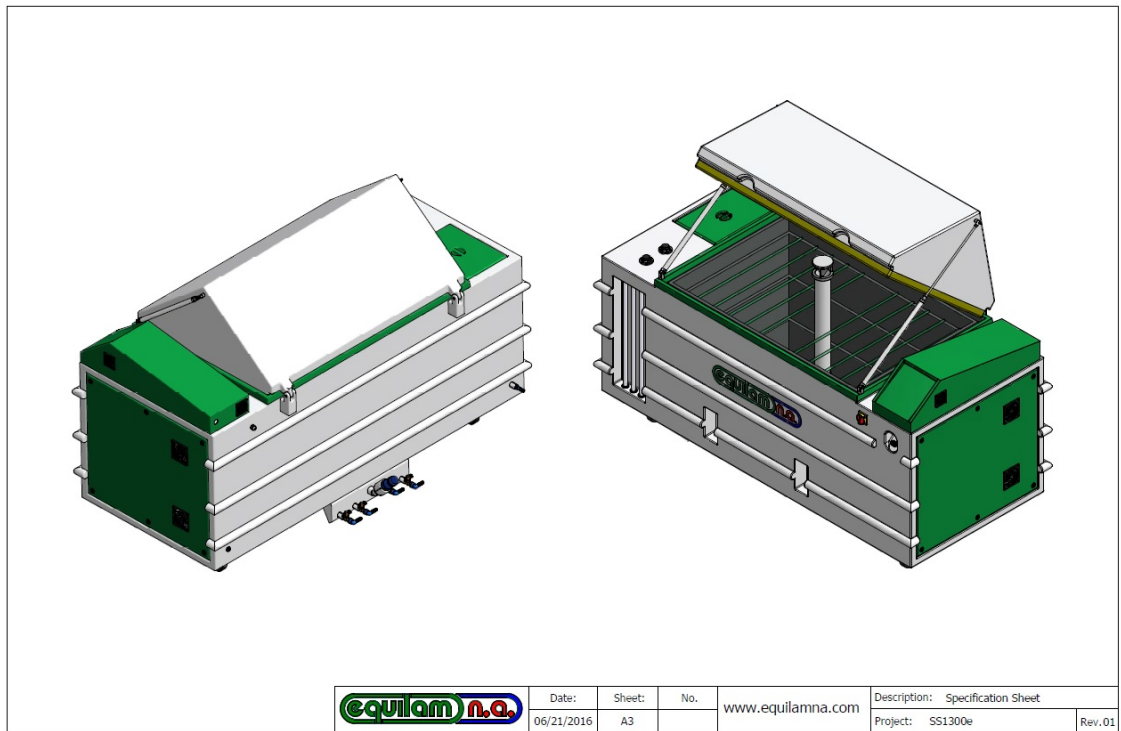
- Side window in lid to prevent dripping on samples -
ASTM B117 - ISO 9227 –
JIS Z2371 - MILS



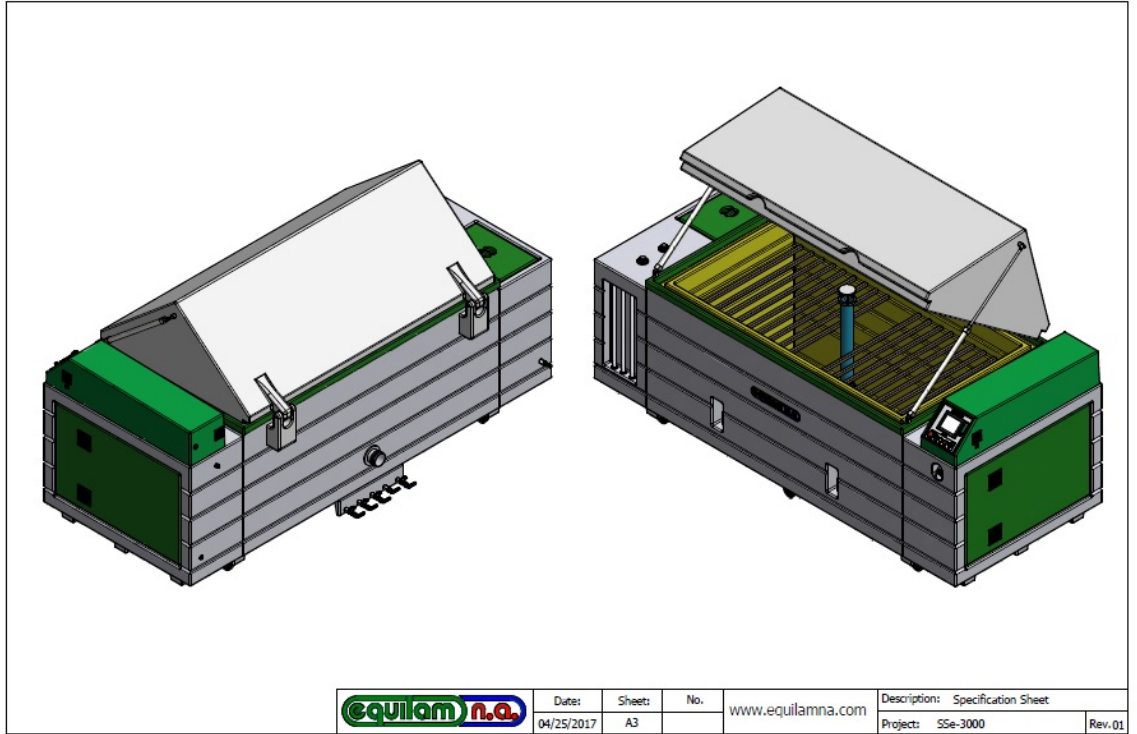
NOTE: Chambers with other internal volumes consult us.



SS 600e – SS 1000e



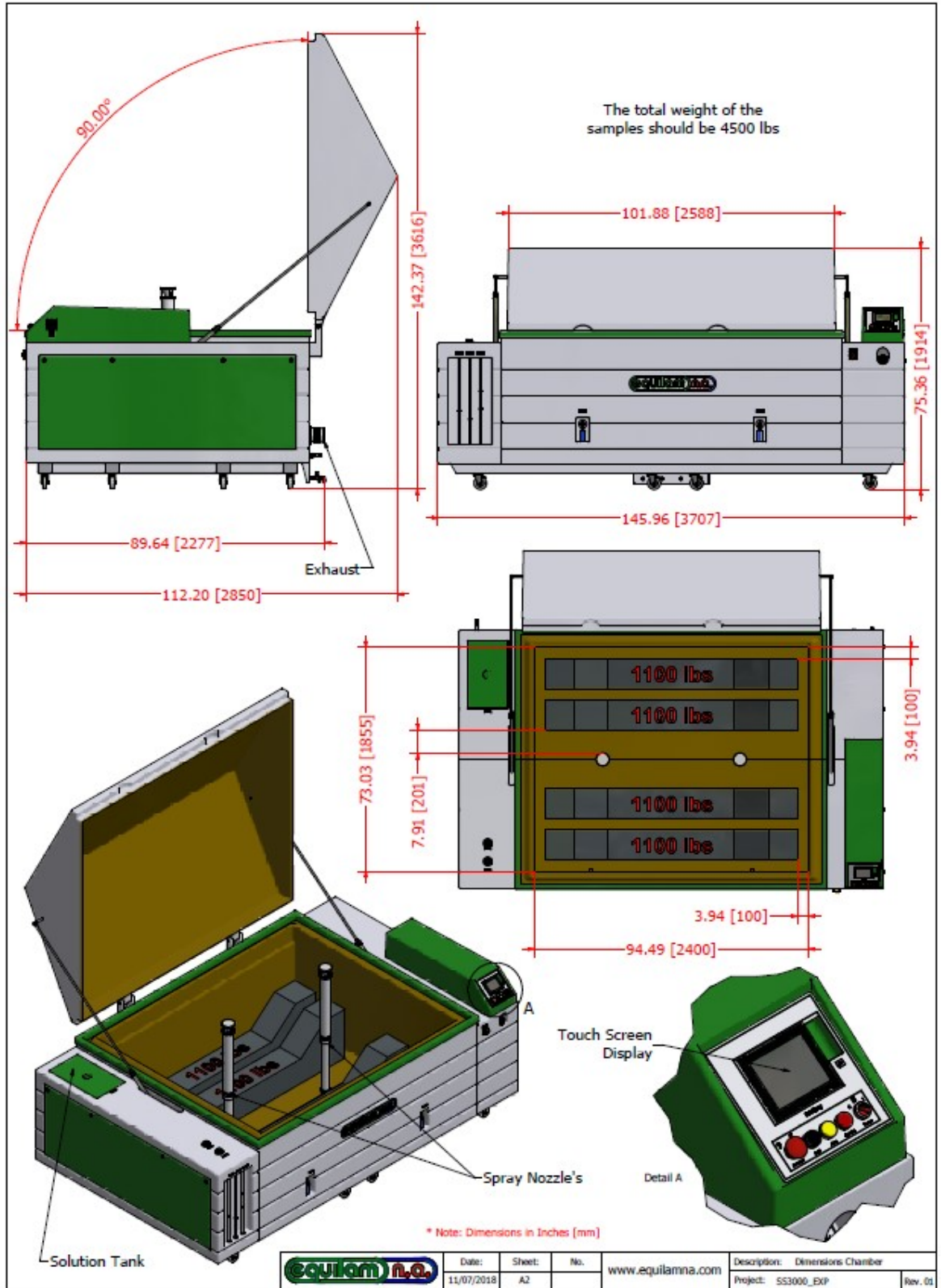
SS 1300e



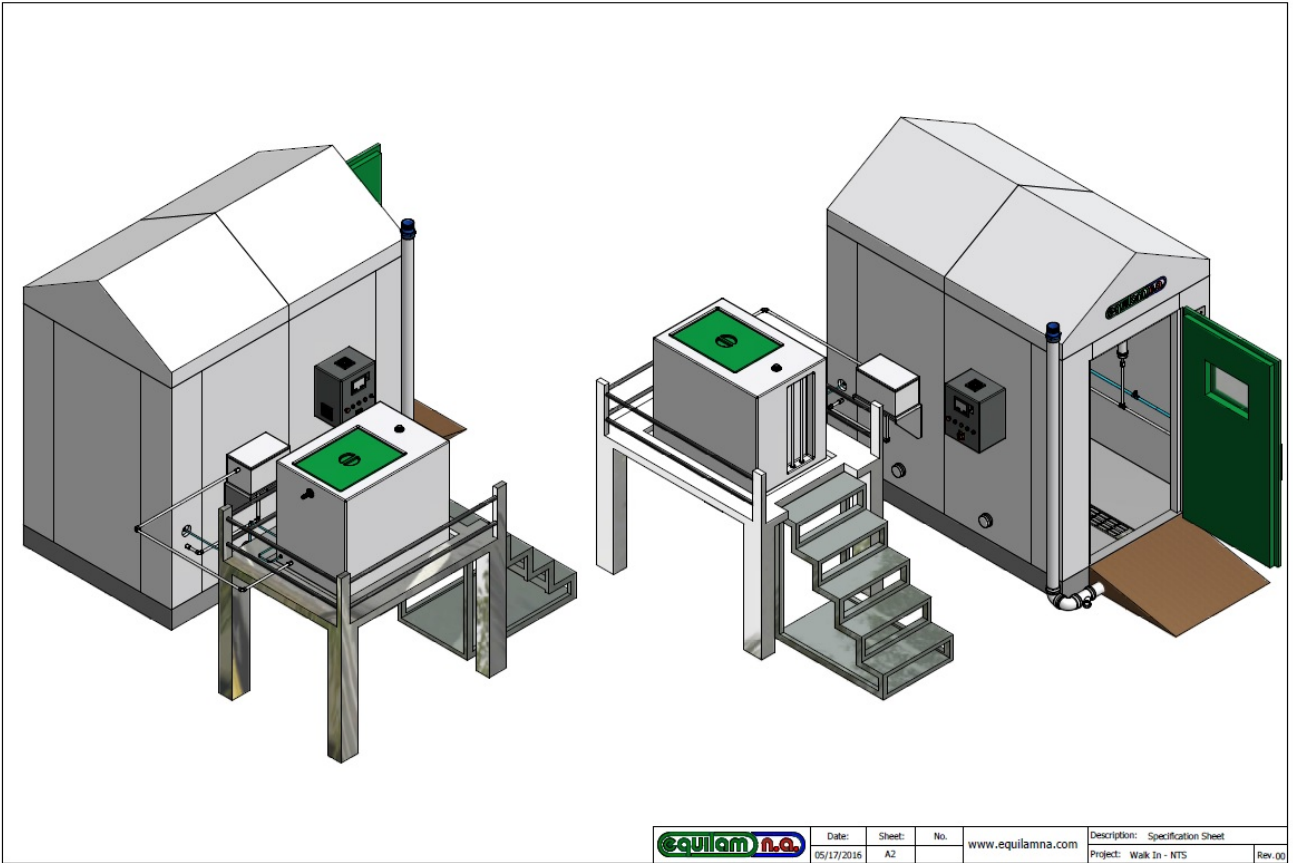
SS 3000e



SS 5000e



Special design SALT SPRAY TEST CHAMBER ASTM B117 - Floor to withstand high loads – Lid opening 90 degrees - Contact us.



Walk In – Drive In - Consult US.